

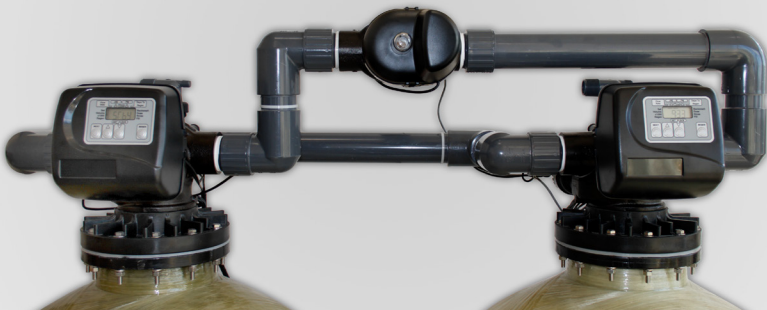
Water Specialist 2.0" NPT or BSPT Motorized Alternating Valve



Certified to NSF/ANSI/CAN 61 and NSF/ANSI/CAN 372.

Order No. V3076 • NPT
Order No. V3076BSPT • BSPT

- 2" NPT and 2" BSPT
- Epoxy coated lead free brass valve body*
- Hydraulically balanced piston valve
- Allows for two WS2, WS2L, or WS2H Valves to be a Twin Alternating System
- Full 2" ports with minimal pressure loss
- Provides for no raw water bypass during regeneration
- Provides choices of treated or non-treated water regeneration
- Proven and reliable Clack DC drive assembly
- Low voltage drive assembly controlled by valve's circuit board
- Flow from Port A to Common has a 4.0 PSI drop at 125 GPM
- Flow from Port B to Common has a 2.7 PSI drop at 125 GPM
- Operating Pressures:
20 PSI Minimum
125 PSI Maximum
- Operating Temperatures:
40°F Minimum
110°F Maximum



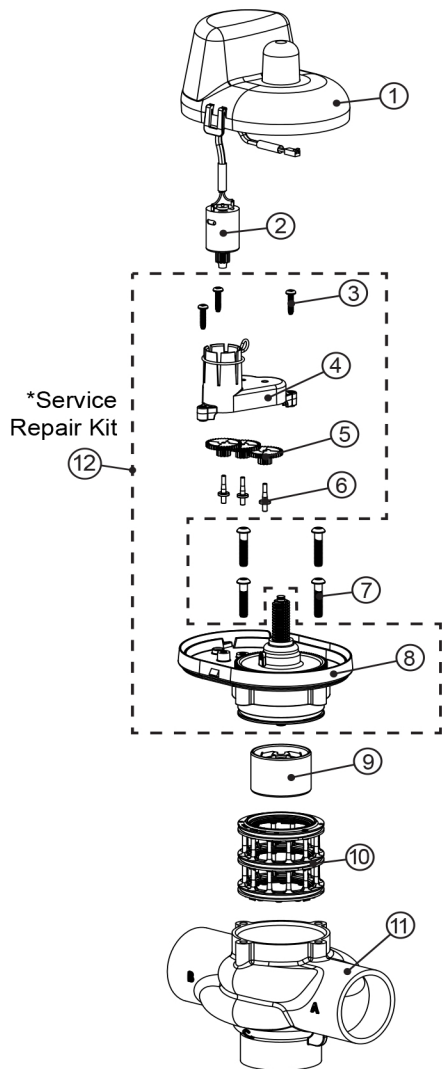
EXAMPLE OF A TWIN CONFIGURATION

Order No. V3076 • Description: MOTOR ALT VLV 2 NPT REV2

or

Order No. V3076BSPT • Description: MOTOR ALT VLV 2 BSPT REV2

Drawing No.	Order No.	Description	Quantity	
			V3076	V3076BSPT
1	V3073	MAV/NOHWBY COVER ASY	1	1
2	V3476	WS MOTOR ASY 8 FT	1	1
3	V3592	SCREW #8-3/4 PHPN T-25 SS	3	3
4	V3262-01	WS1.5&2ALT/2BY REDUCGEARCVRASYS	1	1
5	V3110-01	WS1 DRIVE REDUCING GEAR PLAIN	3	3
6	V3264	WS2 BYPASS REDUCTION GEAR AXLE	3	3
7	V3527	SCREW 1/4-20 X 3/4 BHSCS SS	3	3
8	V3078	MAV/NOHWBY 2 DRIVE ASY	1	1
9	V3634-01	MAV/NOHWBY 2 PISTON	1	1
10	V3077	WS2 MAV STACK ASY	1	1
11	V3633-01	WS2 MAV BODY NPT	1	N/A
	V3633-01BSPT	WS2 MAV BODY BSPT	N/A	1
Not Shown	V3474	WS ALT CONNECT CORD 8FT BLK	1	1
*12	V3043	WS2 MAV & NHWB SERVICE PACK		



**•Operating Pressures:
20 PSI Minimum / 125 PSI Maximum**

**•Operating Temperatures:
40°F Minimum / 110°F Maximum**

